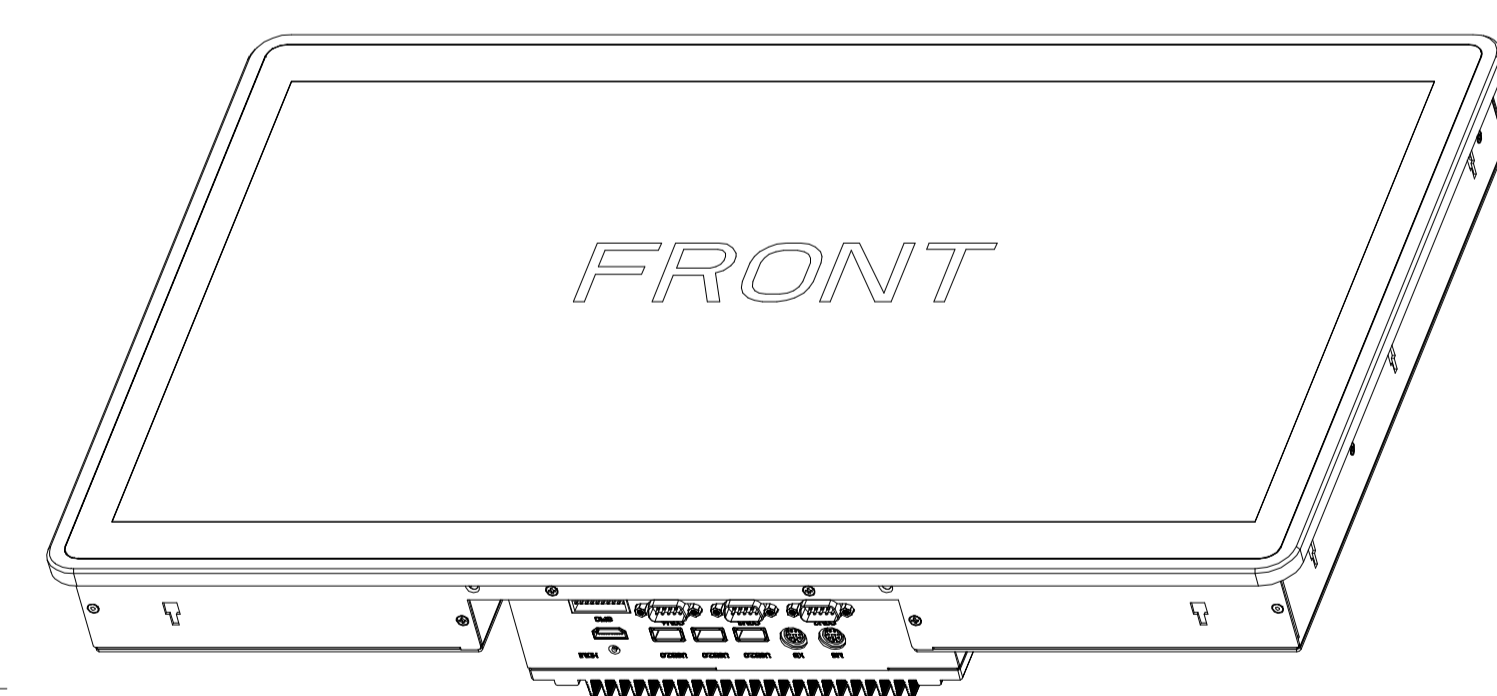
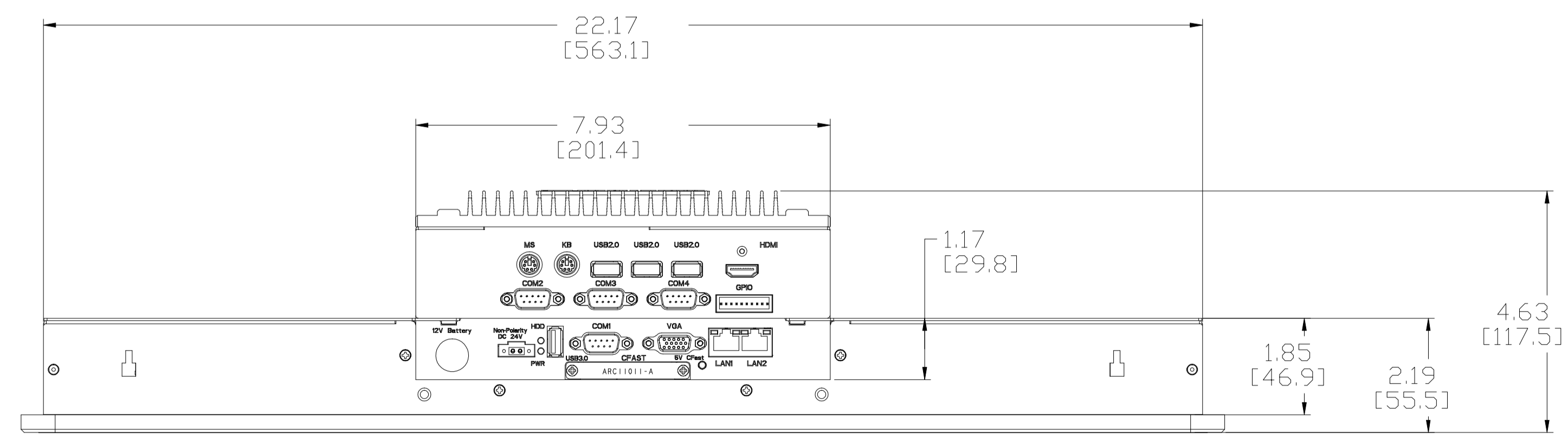
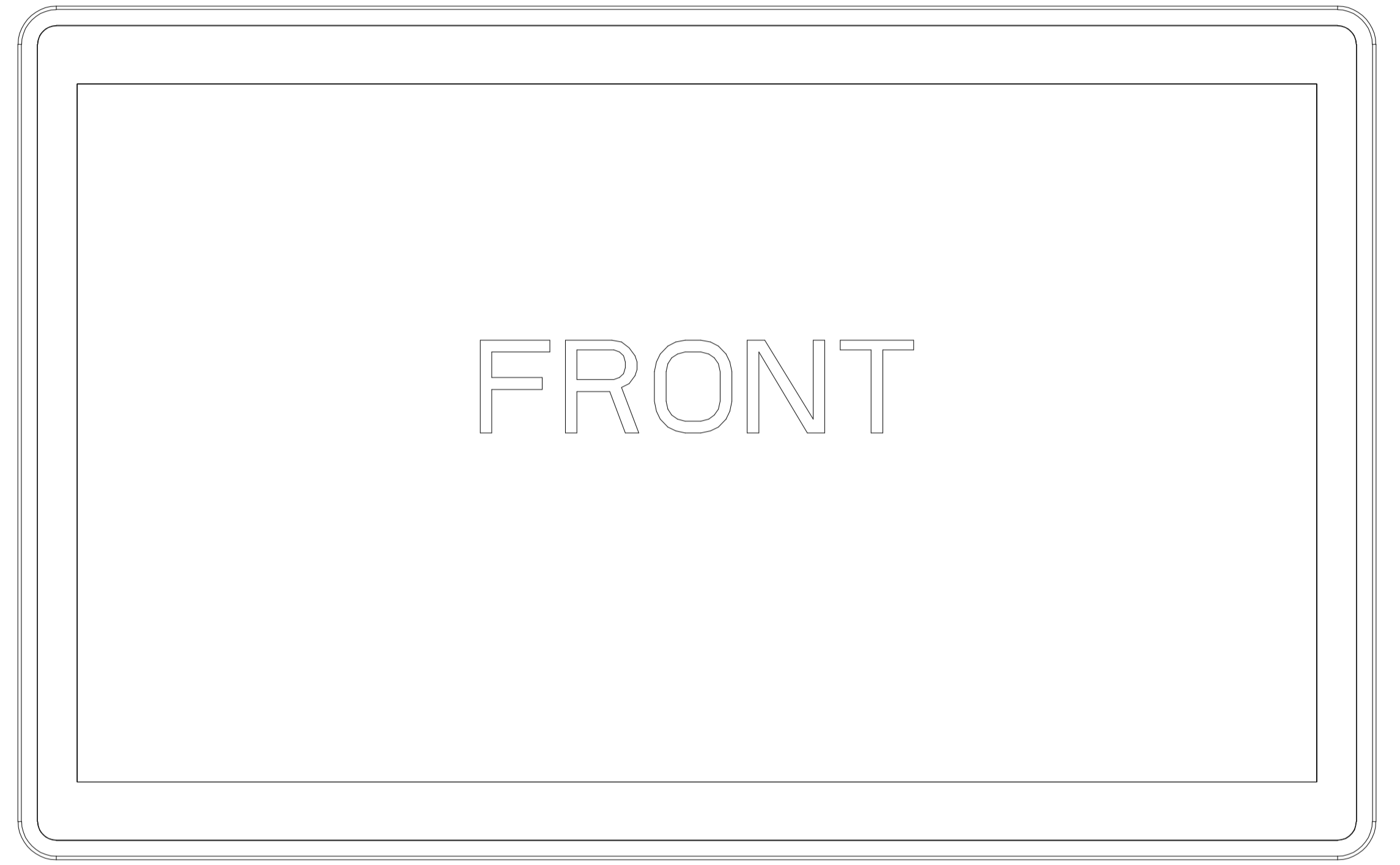
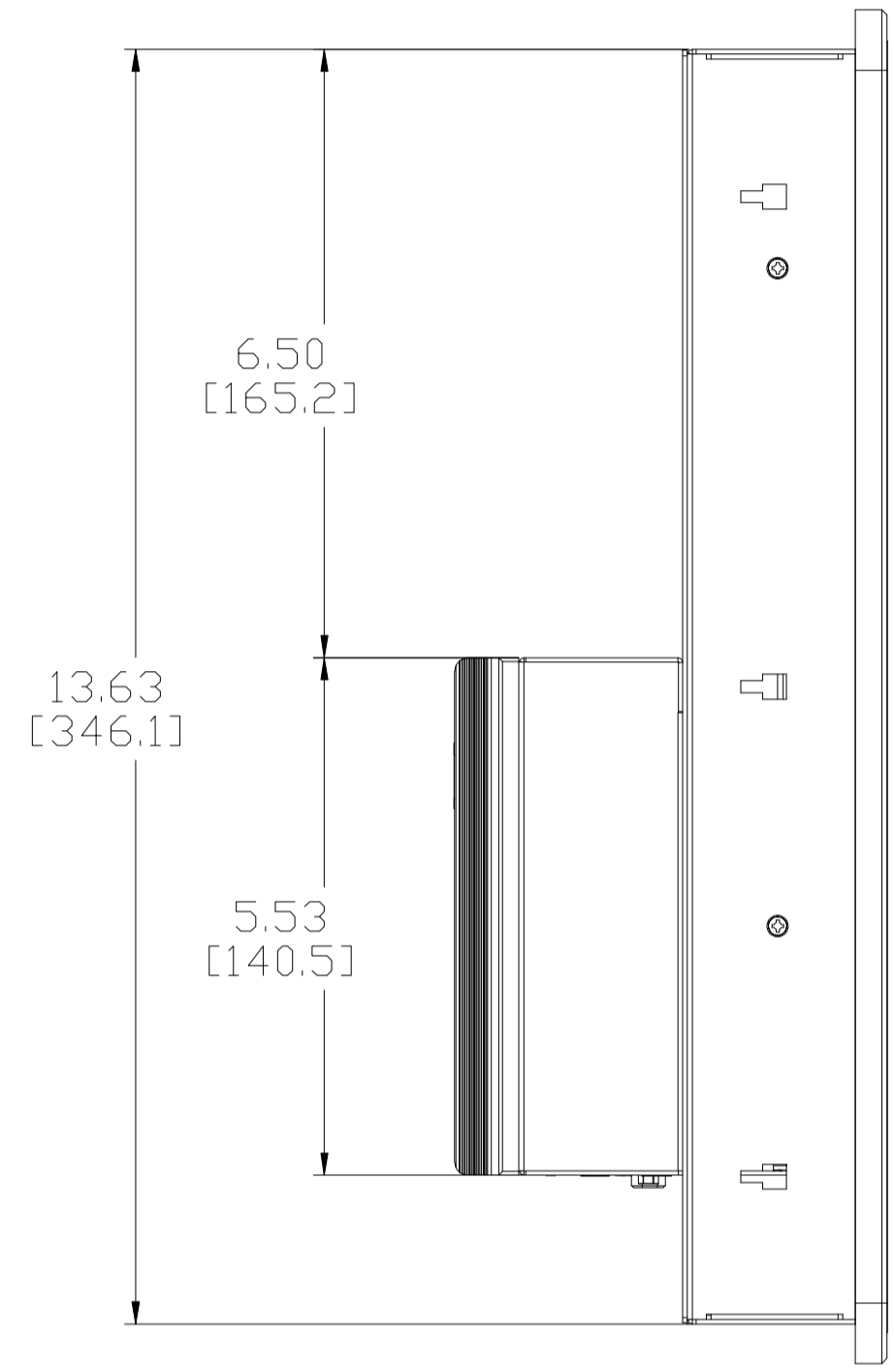
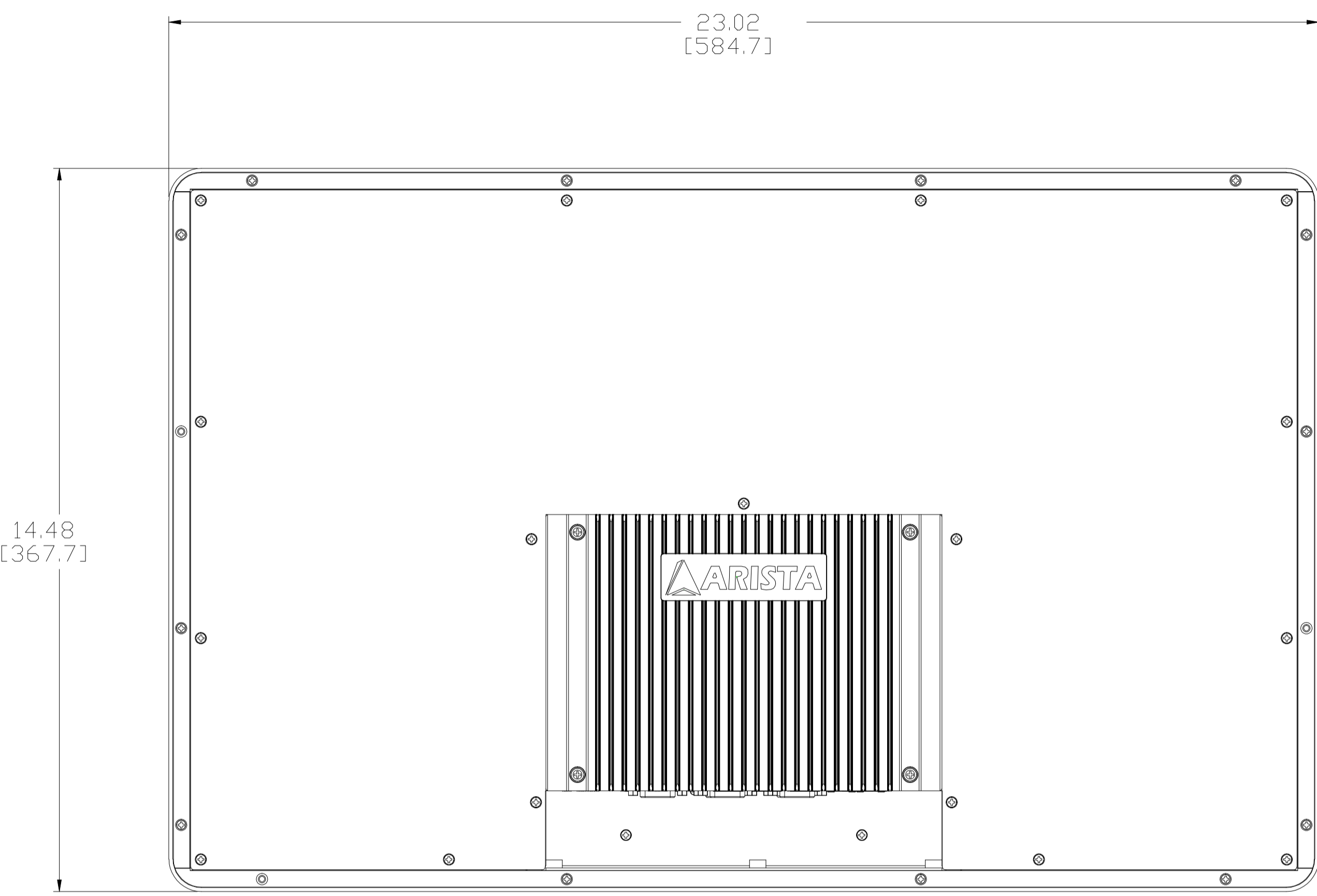
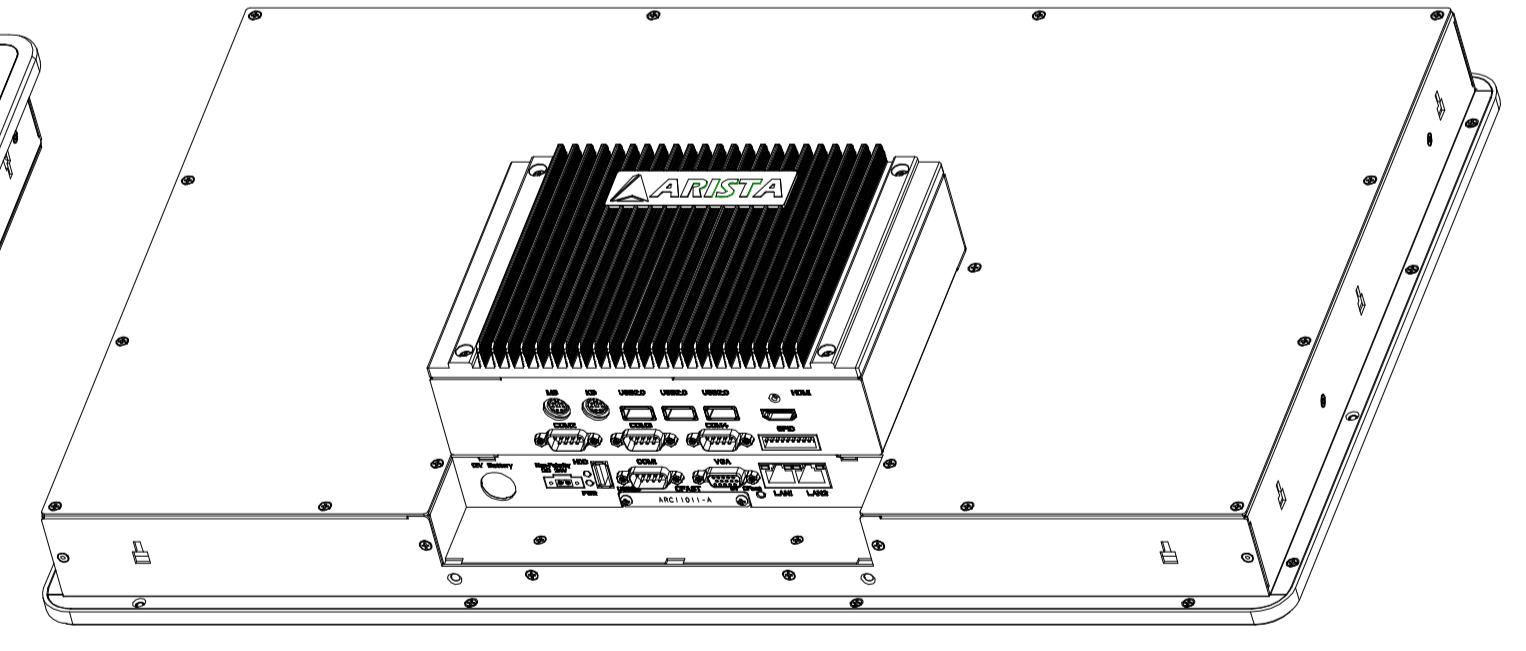


PARTS LIST			
ITEM	QTY	DESCRIPTION	P/N



比例 0.300



比例 0.300

ALL DIMENSIONS IN MILLIMETRES
 第三角投影

The information disclosed on this document is the exclusive property of ARISTA CORPORATION. Reproduction, disclosure, or the use of this document or information without the written permission of ARISTA CORPORATION is prohibited.

TOLERANCES	A	B	C
0-30mm	±0.1	±0.25	±0.6
30-120mm	±0.15	±0.46	±1.1
120-315mm	±0.2	±0.6	±1.6
>315mm	±0.3	±1.1	±2.5

ZONE	REV	DESCRIPTION	DATE	APPROVED
REVISIONS				
ARISTA CORPORATION 40675 Encyclopedia Circle, Fremont, CA 94538				
TITLE 0_ARP-3824AP-H01_ARC11400				
SIZE	FSCM NO.	DWG NO.	REV	
D			比例 0.500	INV. NO.
DESIGN	ECN	DESIGN	SHEET	OF